

DO₂

TILT HOIST

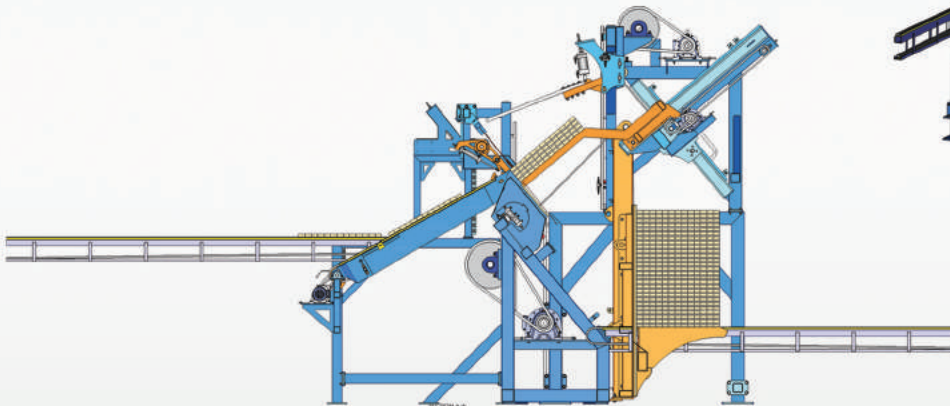
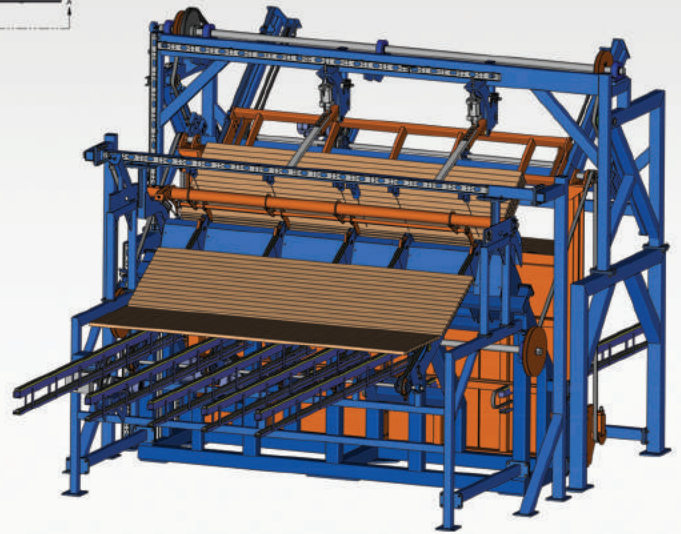
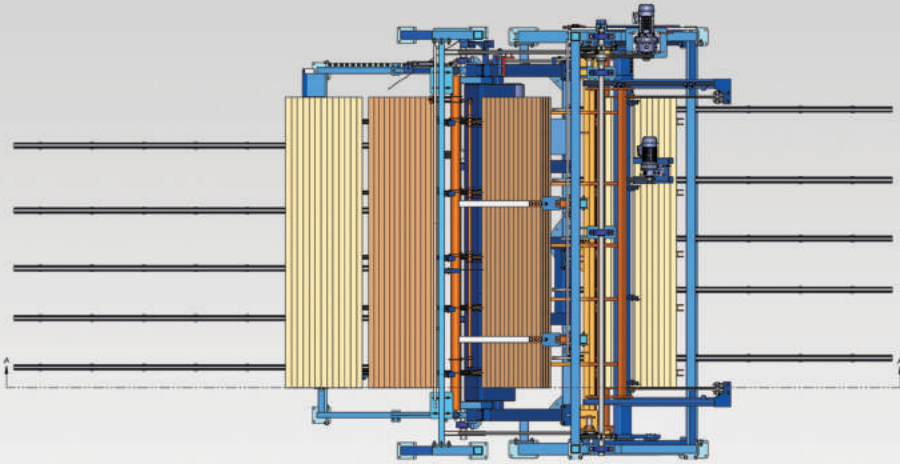


DO₂ TILT HOIST



PATENT PENDING INNOVATIONS

TILT HOIST

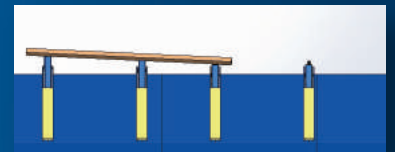
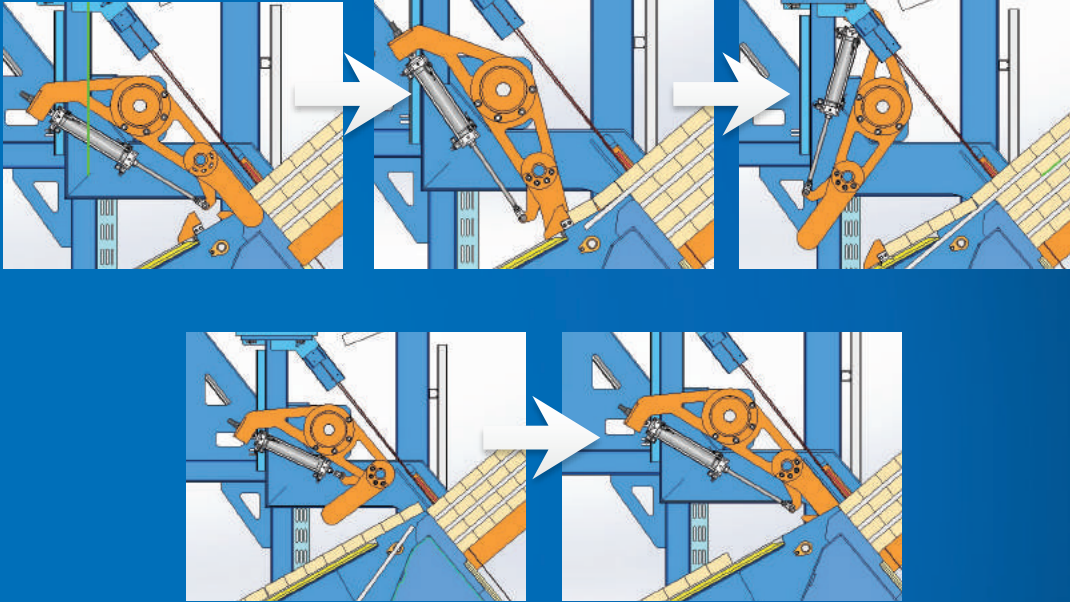


SPECIFICATIONS

- Best row control
- Safest
- Up to 22 rows/min
- Full electric
- Secondary hoist
 - 15 rows capacity
 - Electric hoist
 - Electric in/out forks

MORE CONTROL, NO TIME LOST

CONTROL ARMS



AUTOMATIC LEVELER

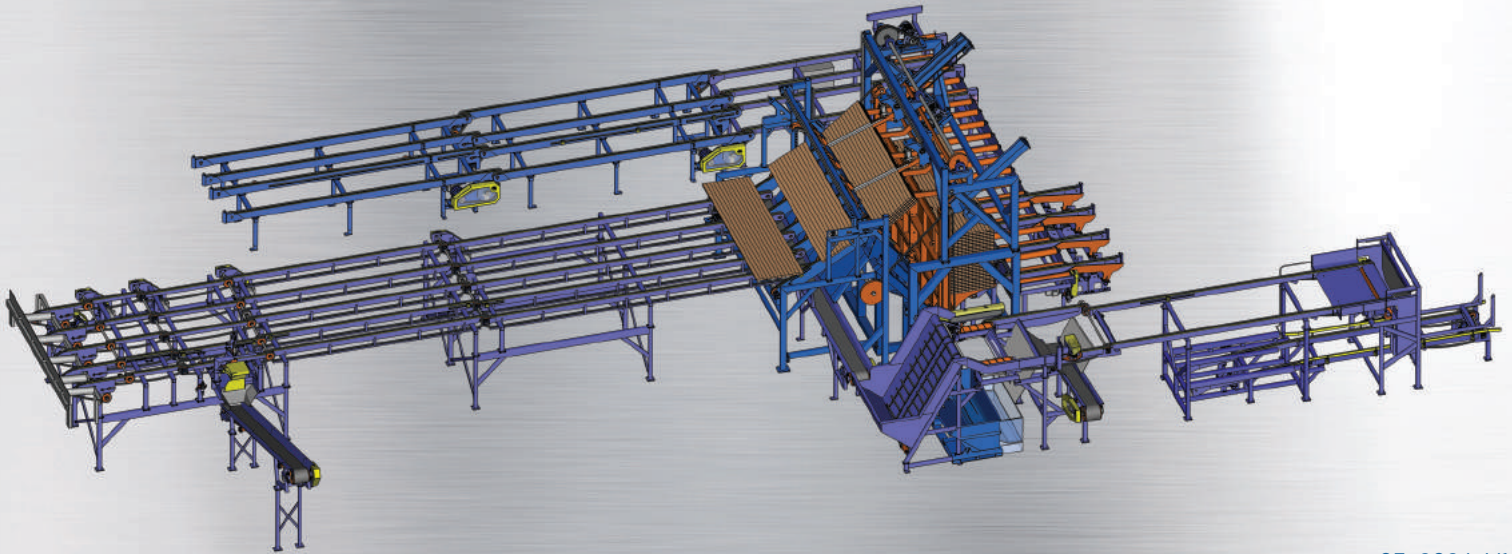


SPECIFICATIONS

- Stick and dunnage recovery
- Trim saw
- Tilt Hoist infeed and outfeed
- Control integration up to planer



TILT HOIST



03_2024_V1

www.do2.ca • 1 888 276-0554

DO₂ Industriel

303, 8^e Avenue
Dolbeau-Mistassini (Québec) G8L 1Z6

Phone : 418 276-0555

DO₂ Contrôle

501, Rue J. Adélarde Gagnon
Dolbeau-Mistassini (Québec) G8L 0B1

Phone : 418 276-9992